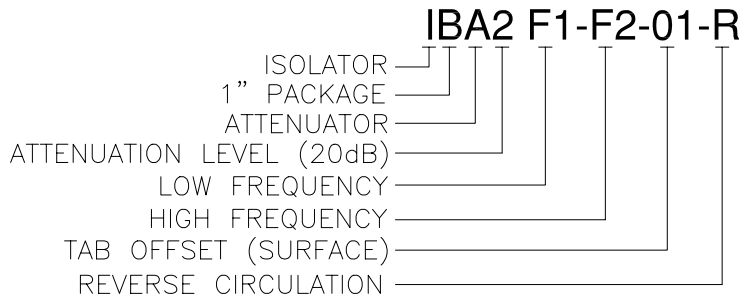
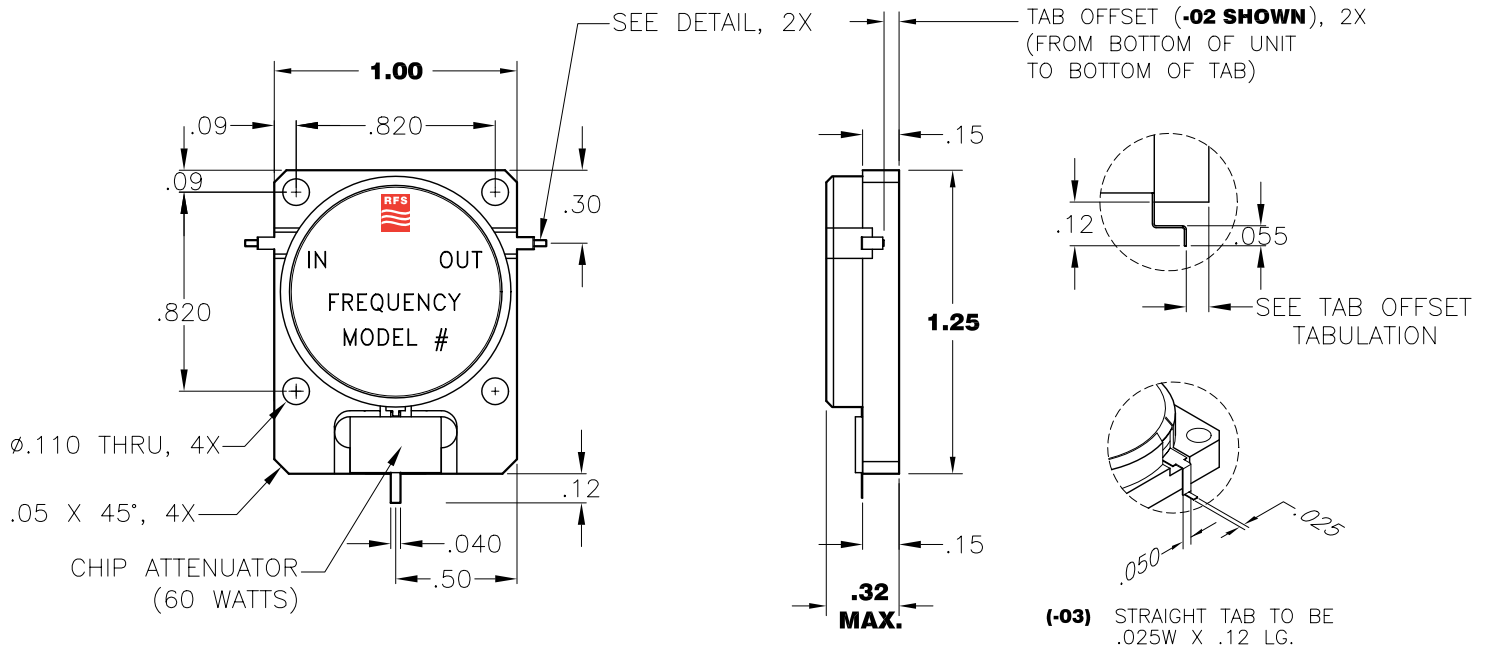




FERROCOM FERRITE DIVISION

# 1" ISO-ATTENUATOR

## LOW LOSS, HIGH POWER



ELECTRICAL SPECIFICATIONS			
FREQUENCY	F1 TO F2 MHz.		
TEMPERATURE	+25°C	-40°C	+85°C
INSERTION LOSS, dB MAX.	.25	.30	.30
ISOLATION, dB MIN.	23	20	20
RETURN LOSS, dB MIN.			
IN-OUT	23	20	20
ATTENUATED PORT	20	20	20
ATTENUATION	A2	20±1.5 dB	
	A3	30±1.5 dB	
POWER	100 WATTS FORWARD 60 WATTS REVERSE		
	HEAT SINK TEMPERATURE NOT TO EXCEED +90°C		

DASH	TAB OFFSET
-01	SURFACE, MNT. .000"
-02	.062"
-03	.150"

FREQUENCY F1-F2 MHz	FREQUENCY F1-F2 MHz
800-840	1700-1800
830-880	1805-1880
869-894	1930-1990
885-920	2100-2200
925-960	

MECHANICAL SPECIFICATIONS	
MATERIAL	ALUMINUM
FINISH	ELECTROLESS NICKEL
TAB MATERIAL	BeCu 5MIL THK. SILVER PLATED
TOLERANCES	.XX = ±.010   .XXX = ±.005

MODEL NO.: IBAX F1-F2-0X-R

DATE: 08/22/02