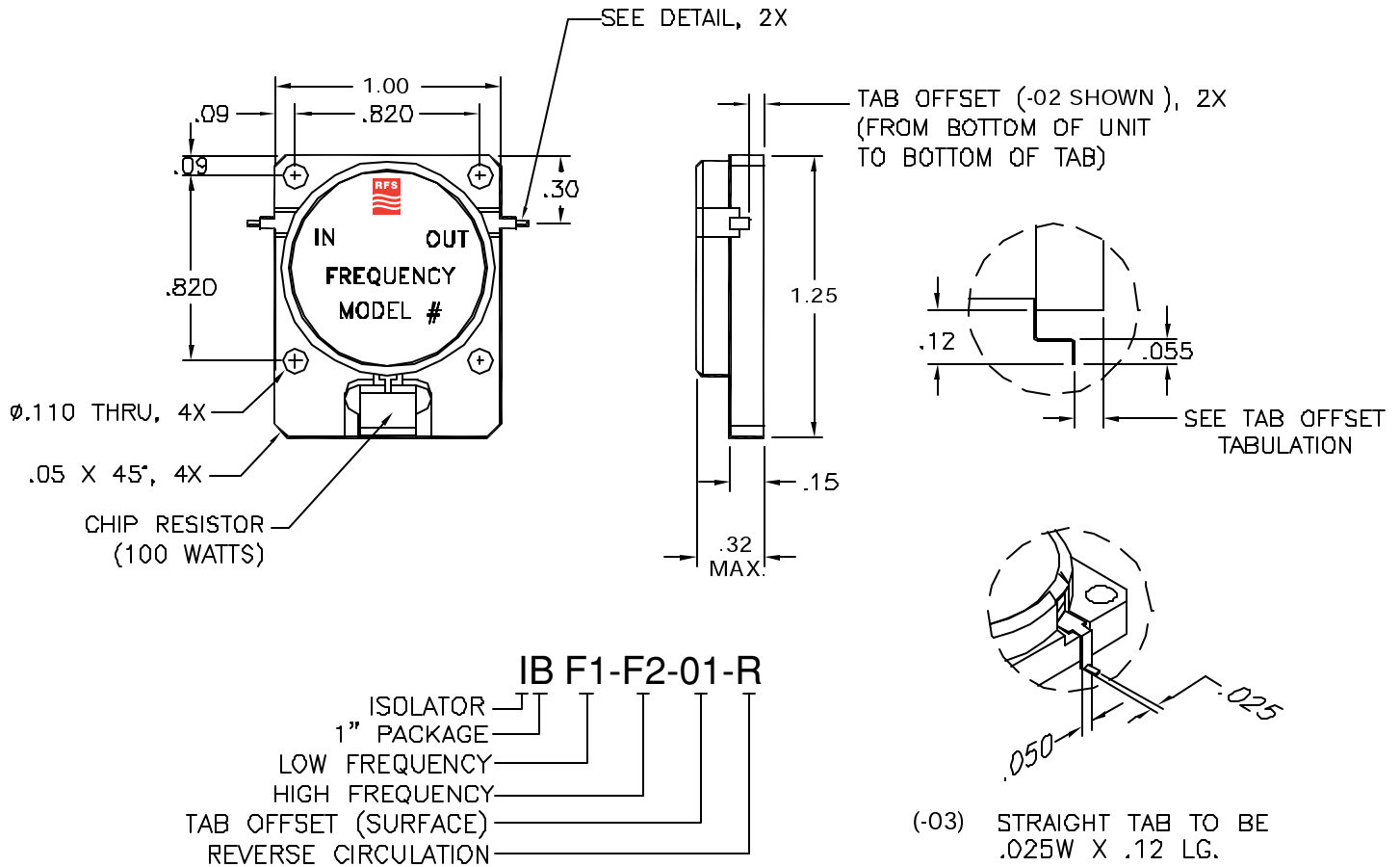




FERROCOM FERRITE DIVISION

1" ISOLATOR LOW LOSS, HIGH POWER



ELECTRICAL SPECIFICATIONS	
FREQUENCY	F1 TO F2 MHz.
ISOLATION	23 dB TYP. @ ROOM 20 dB MIN. OVER TEMP.
INSERTION LOSS	.25 dB TYP. @ ROOM .30 dB MAX. OVER TEMP.
RETURN LOSS	23 dB TYP. @ ROOM 20 dB MIN. OVER TEMP.
OPERATION TEMPERATURE	-40 TO +85°C
POWER	100 WATTS FORWARD 100 WATTS REVERSE
IMD	-70 dBc 2 TONES 37.5 WATTS AVERAGE POWER PER TONE, 1 MHz APART
	HEAT SINK TEMPERATURE NOT TO EXCEED +90°C

DASH	TAB OFFSET	FREQUENCY F1-F2 MHz	FREQUENCY F1-F2 MHz
-01	SURFACE MNT. .000"	800 TO 840	1700 TO 1800
-02	.062"	830 TO 880	1805 TO 1880
-03	.150"	869 TO 894	1930 TO 1990
		885 TO 920	2100 TO 2200
		925 TO 960	

MECHANICAL SPECIFICATIONS	
MATERIAL	ALUMINUM
FINISH	ELECTROLESS NICKEL
TAB MATERIAL	BeCu 5MILS THK., SILVER PLATED
TOLERANCES	.XX = ±.010 .XXX = ±.005

MODEL NO. IBF1-F2-0X-R