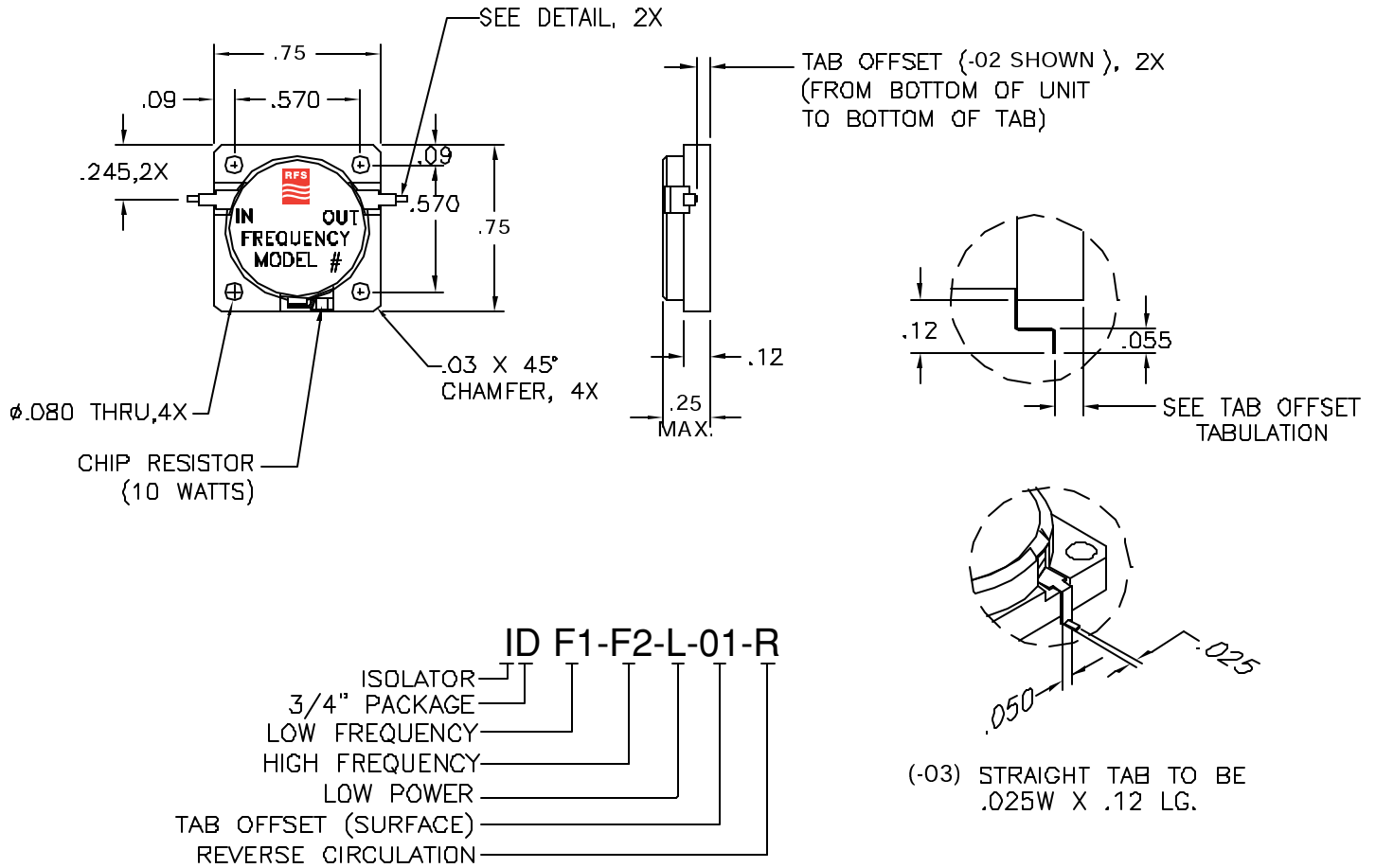




FERROCOM FERRITE DIVISION

3/4" ISOLATOR LOW LOSS, LOW POWER



ELECTRICAL SPECIFICATIONS	
FREQUENCY	F1 TO F2 MHz.
ISOLATION	22 dB TYP. @ ROOM 20 dB MIN. OVER TEMP.
INSERTION LOSS	.25 dB TYP. @ ROOM .30 dB MAX. OVER TEMP.
RETURN LOSS	22 dB TYP. @ ROOM 20 dB MIN. OVER TEMP.
OPERATION TEMPERATURE	-40 TO +85°C
POWER	100 WATTS FORWARD 10 WATTS REVERSE
IMD	-70 dBc 2 TONES 37.5 WATTS AVERAGE POWER PER TONE, 1 MHz APART
	HEAT SINK TEMPERATURE NOT TO EXCEED +90°C

DASH	TAB OFFSET	FREQUENCY F1-F2 MHz	FREQUENCY F1-F2 MHz
-01	SURFACE MNT. .000"	1700-1800	
-02	.062"	1805-1880	
-03	.120"	1930-1990	
		2100-2200	
		2500-2700	

MECHANICAL SPECIFICATIONS	
MATERIAL	ALUMINUM
FINISH	ELECTROLESS NICKEL
TAB MATERIAL	BeCu 5MILS THK., SILVER PLATED
TOLERANCES	.XX = ±.010 .XXX = ±.005

MODEL NO. IDF1-F2-L-0X-R