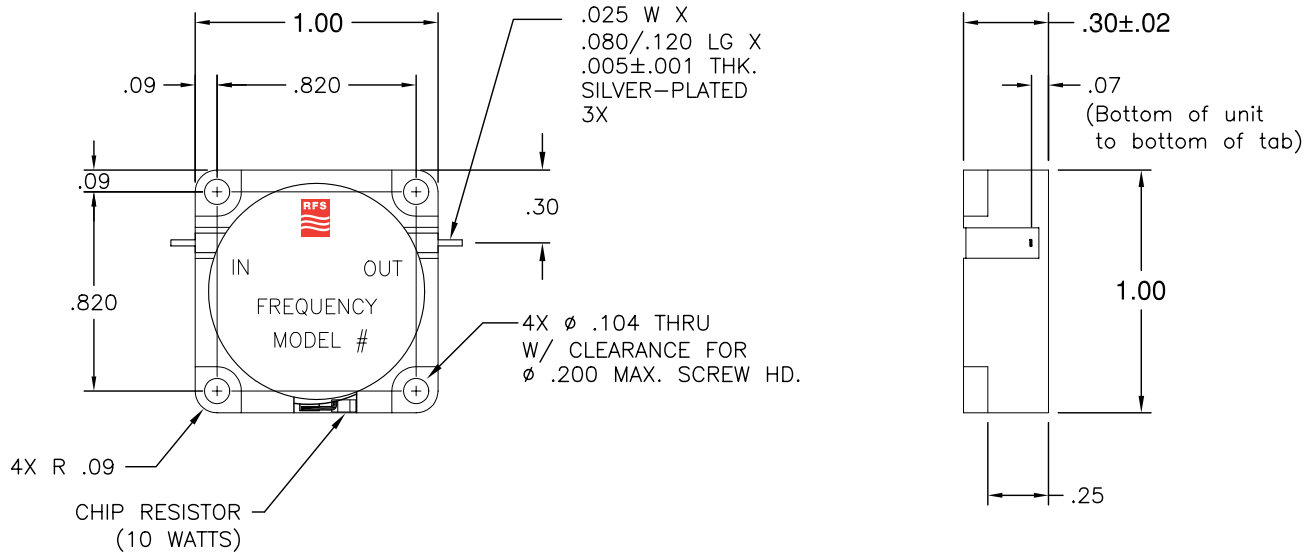




FERROCOM FERRITE DIVISION

1" ISOLATOR

LOW IMD, LOW LOSS, LOW POWER



IBL48-0X-R

ISOLATOR
1" PACKAGE
LOW POWER MODEL
FREQUENCY
REVERSE CIRCULATION

ELECTRICAL SPECIFICATIONS

FREQUENCY	F1 TO F2 MHz.
ISOLATION	22 dB TYP.
INSERTION LOSS	.20 dB TYP. @ ROOM .25 dB MAX. OVER TEMP.
RETURN LOSS	22 dB TYP.
OPERATION TEMPERATURE	-40 TO +85°C
POWER	100 WATTS FORWARD 10 WATTS REVERSE
IMD	-78 dBc 2 TONES 37.5 WATTS AVERAGE POWER PER TONE, 1 MHz APART
	HEAT SINK TEMPERATURE NOT TO EXCEED +90°C

DASH	FREQUENCY F1-F2 MHz
-01	1900-2020
-02	2090-2190

MECHANICAL SPECIFICATIONS

MATERIAL	LEDLOY A (C12L14) OR CRS-C1010	
FINISH	ELECTROLESS NICKEL	
TAB MATERIAL	BeCu 5MILS THK., SILVER PLATED	
TOLERANCES	.XX = ± .01	.XXX = ± .005

MODEL NO. IBL48-0X-R

DATE: 10/23/02